

INSTALLATION INSTRUCTIONS

GUARDIAN GATE HARDWARE Telephone: 520-881-3380

Uphill Swing Hinge

P/Ns 2190.100, 2195.100, 2008, 2018

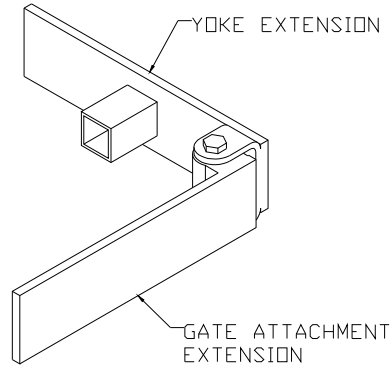


Figure 1. Diagram of Uphill Swing Hinge

STEP 1:

Stand the gate in the open position as shown in Figure 2. The hinges will be opened 90° with the YOKE EXTENSION flat against the gatepost, and the GATE ATTACHMENT EXTENSIONS flat against the end rail of the gate as shown in Figure 2. Tack-weld the YOKE EXTENSIONS to the gatepost. **DO NOT** fasten the hinges to the gate at this time.

NOTE: Clearance at free-end of the gate should be 1" higher than required to account for settling.

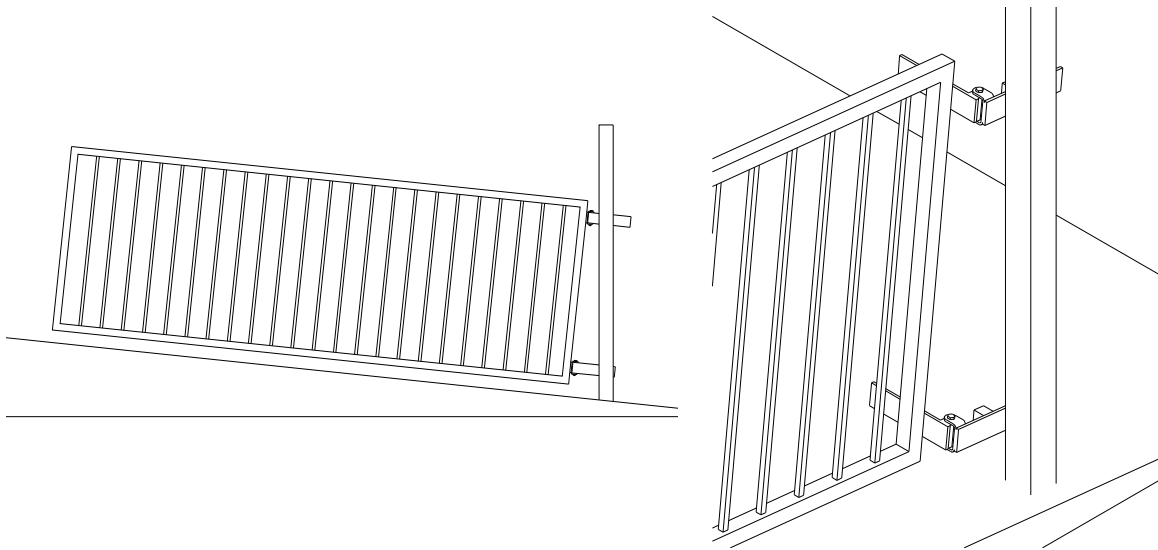


Figure 2. STEP 1

STEP 2:

Stand the gate in the closed position as shown in Figure 3. Tack-weld the GATE ATTACHMENT EXTENSIONS to the gate. **ENSURE ALL TACK-WELDS ARE SUFFICIENT TO SUPPORT THE WEIGHT OF THE GATE!**

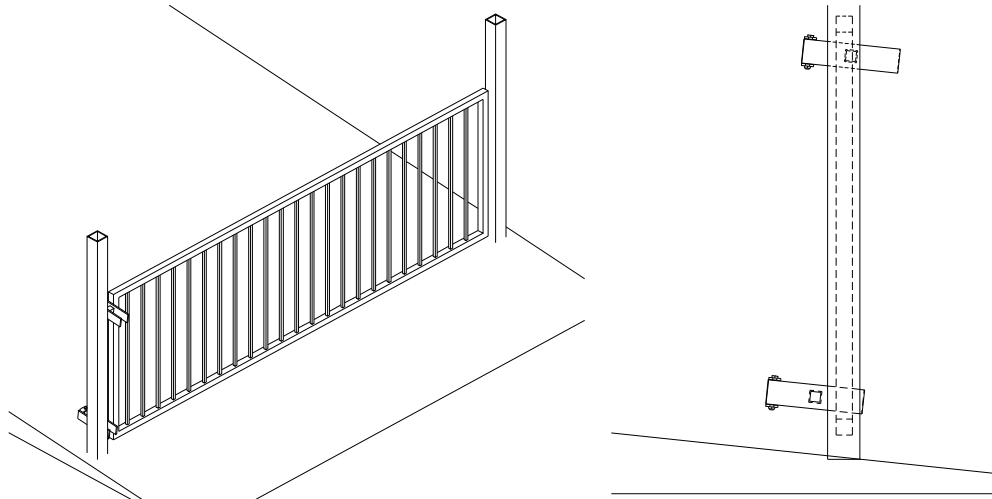


Figure 3. STEP 2

STEP 3:

Verify gate opens and closes as desired (see Figure 4). Adjust if necessary to achieve free movement of the gate, and proper orientation of the gate when it is closed. Securely weld Uphill Swing Hinges to the gate and post.

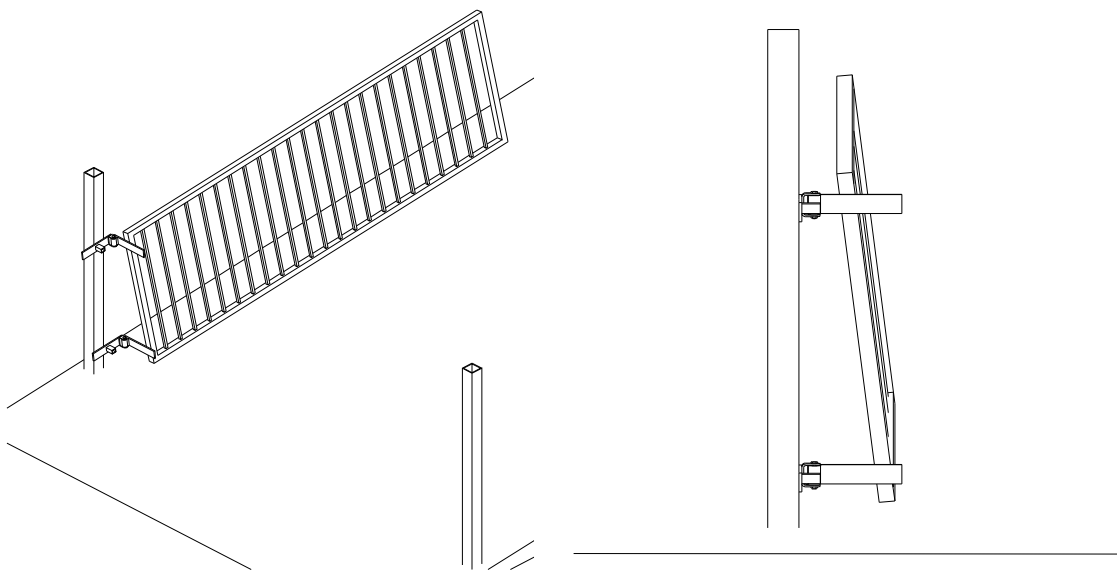


Figure 4. STEP 3 (Gate open)

STEP 4:

Trim excess material from YOKE EXTENSIONS and GATE ATTACHMENT EXTENSIONS as shown in Figure 5. Grind all sharp edges smooth. Paint all bare metal and welds as necessary. Lubricate the Uphill Swing Hinge prior to use, and maintain regularly. Do not over lubricate the hinge.

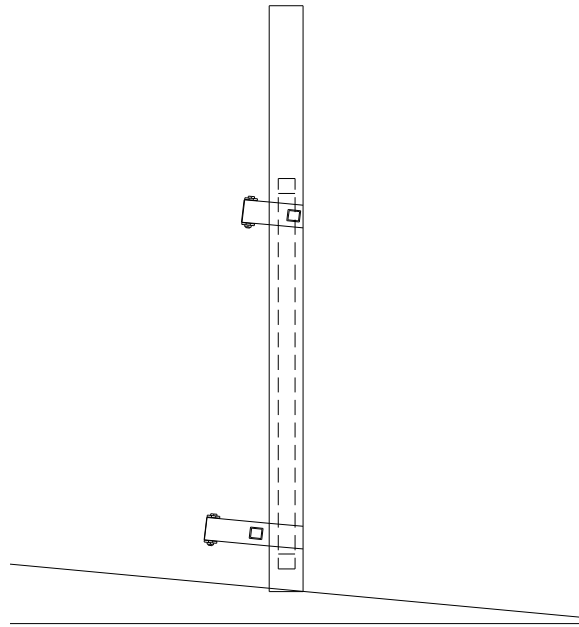


Figure 5. STEP 4 (Gate closed)